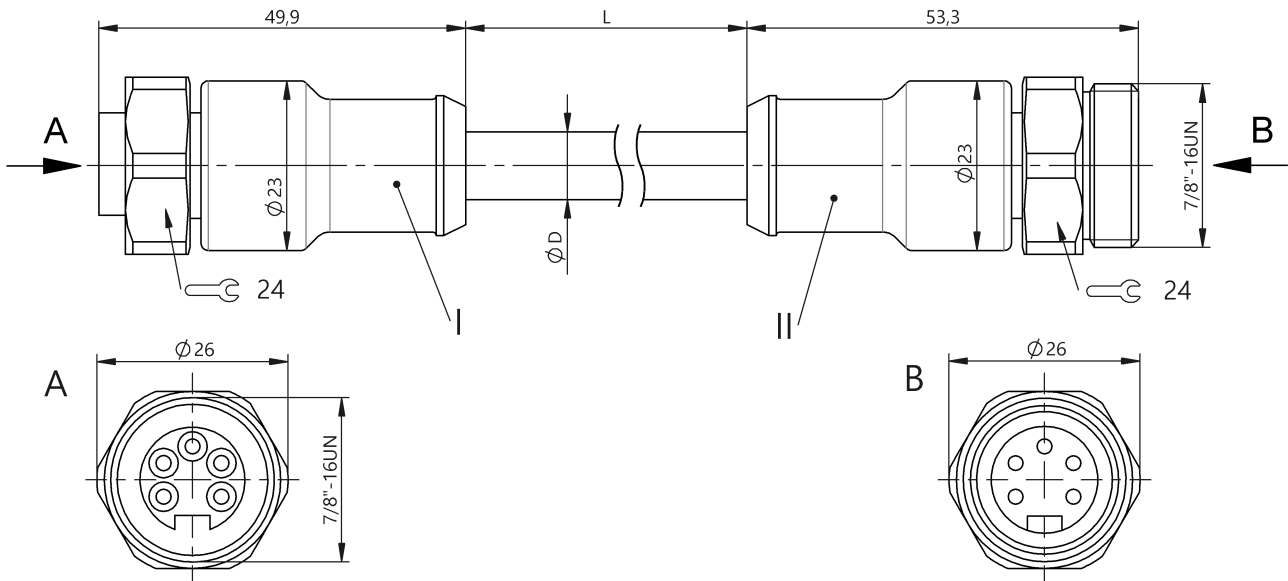


Double-Ended Cordsets
BCC C3B5-C3B5-30-335-YX85A5-006-C009
 Order Code: **BCC0JTZ**

BALLUFF



Basic features

Approval/Conformity	CE Ecolab WEEE
---------------------	----------------------

Electrical connection

Bending radius min., fixed cable	5 x D
Bending radius min., flexible cable	10 x D
Cable	TPE-V gray, 0.6 m
Cable diameter D	9.20 mm ±0.3 mm
Conductor cross-section	1.5 mm ²
Connection 1	7/8"-Female, straight, 5-pin
Connection 2	7/8"-Male, straight, 5-pin
Number of conductors	5
System	Molded/Molded

Electrical data

Cable rated voltage AC max.	600 V
Cable rated voltage DC max.	600 V
Operating voltage Ub	300 VDC / 300 VAC
Operating voltage Ub 3-phase network	277/480V AC +/- 15%
Rated current (40 °C)	9.0 A

Remarks

Halogen-free per DIN VDE 0472 Part 815
 Halogen-free acc. to IEC 60754-1
 LABS-free
 Enclosure rating per IEC 60529 or 20653, only in screwed state with the associated mating piece.

Environmental conditions

Cable temperature, fixed routing	-50...105 °C
Cable temperature, flexible routing	-25...105 °C
IP rating	IP69K/IP69K

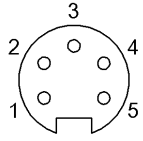
Material

Cable jacket, material	TPE-V
Material contact carrier	PP/PP
Material contacts	Brass/Brass
Material cover nut	1.4404 stainless steel/1.4404 stainless steel
Material grip	PP/PP

Mechanical data

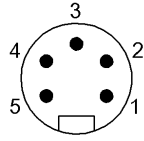
Cable jacket, color	gray
Cable length L	0.60 m
Tightening torque pigtail	1.5 Nm/1.5 Nm

Connector Drawings



I

- PIN 1: black
- PIN 2: blue
- PIN 3: green/yellow
- PIN 4: brown
- PIN 5: white



II

- PIN 1: black
- PIN 2: blue
- PIN 3: green/yellow
- PIN 4: brown
- PIN 5: white

Wiring Diagrams

